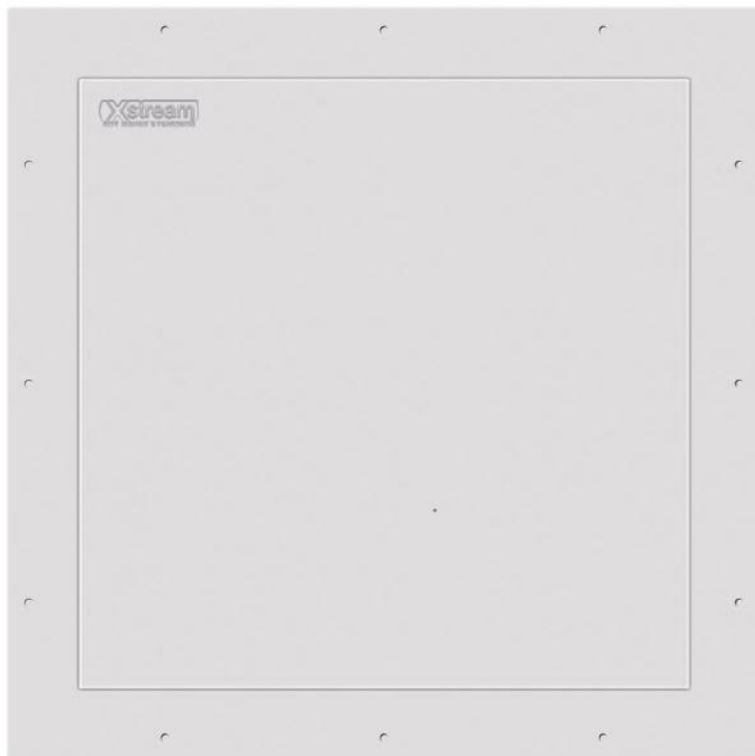


For total reliability you can count on.



Tel: +27 21 872 0900
Distillery Road, Paarl 7646

E-mail: info@xstream.co.za

website: www.xstream.co.za
PO BOX 3132, Paarl 7620

Established in 2003



Introducing the Xstream fibreglass trapdoor.

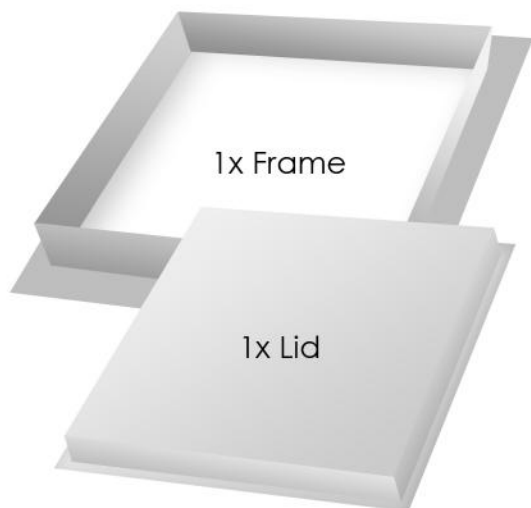
Designed with durability, simplicity and aesthetics in mind, this trapdoor can be fitted in existing ceilings without too much of a hassle, accepting bigger size geysers and can be cleaned without even breaking a sweat.



Features:

- Easy fitment.
- Aesthetically pleasing.
- Cleans easily.
- Can be painted.
- Durable.
- Can be fitted to existing trapdoor opening.

This kit consists of:



12 x Stainless Steel Screws (4 x 35 mm)



12 x Washers (11 x 1 mm) Holesize 4 mm



You will need:

Battery drill with 4 mm drill bit

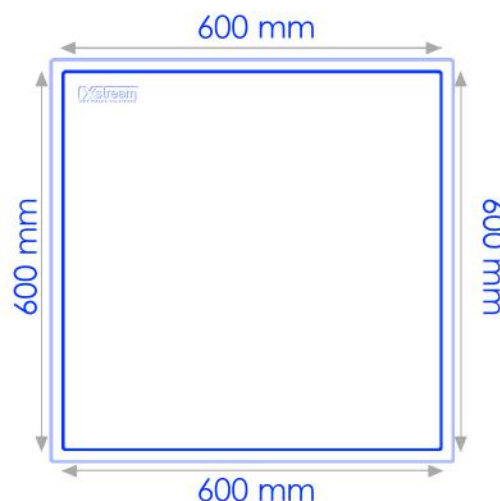
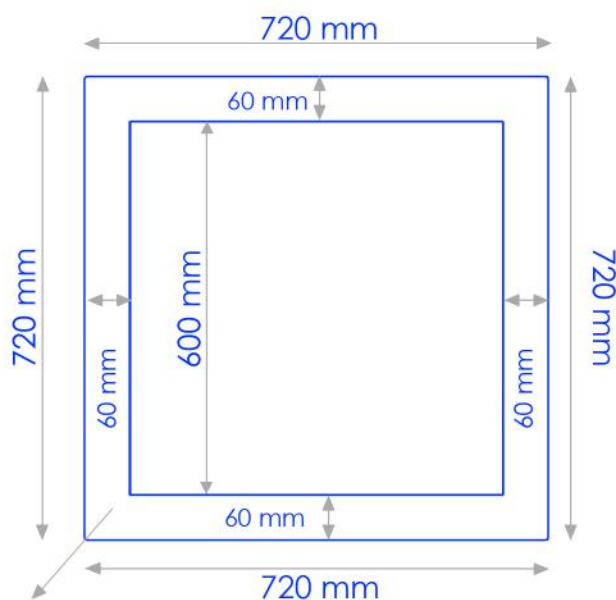


4 mm phillips screwdriver



Dimensions:

front



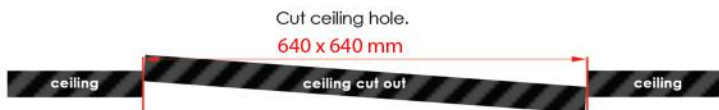
Ceiling cut line 640 mm



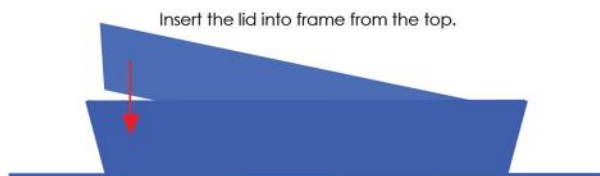
side



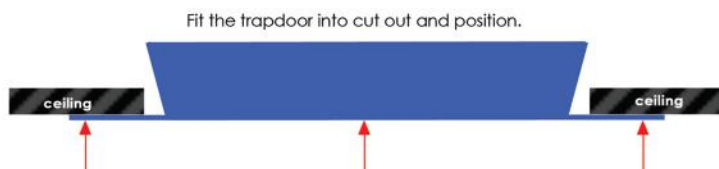
Step 1



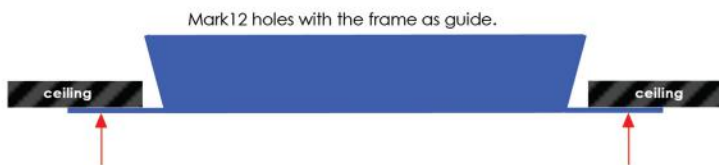
Step 2



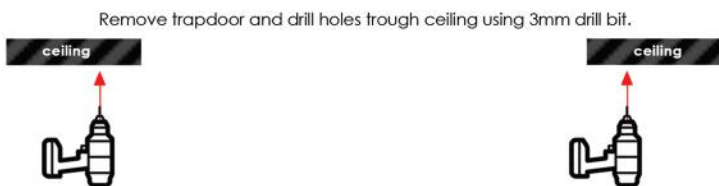
Step 3



Step 4



Step 5



Step 6

