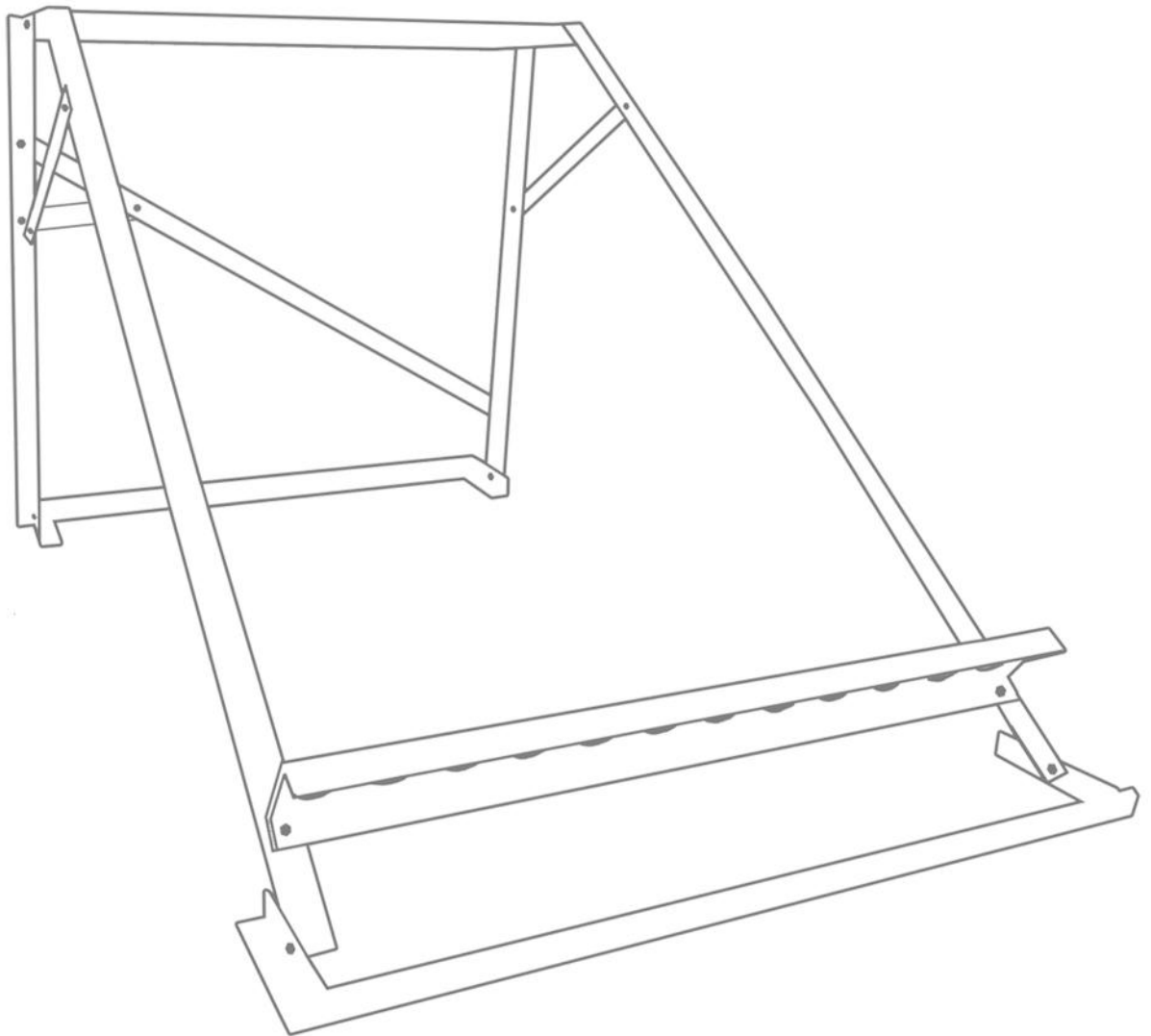




The construction manual
of the
Vacustream
DIY Frame



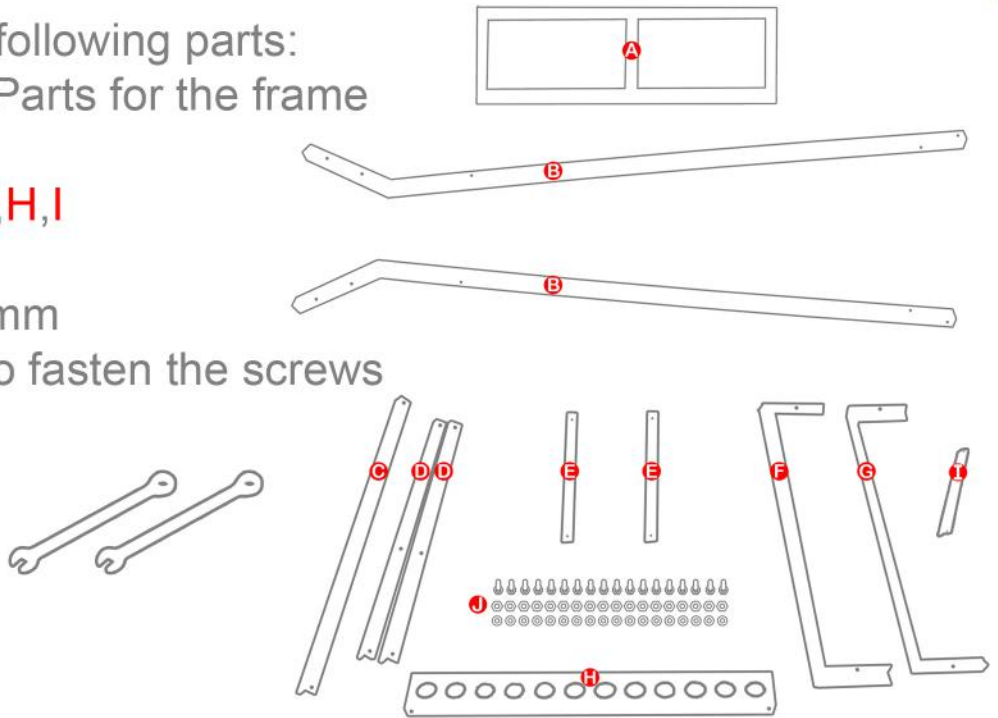
Step 1

You should have the following parts:
12 Galvanised Steel Parts for the frame in total.

A, B, B, C, D, D, E, E, F, G, H, I

You will need two 13mm spanners/wrenches to fasten the screws (**J**).

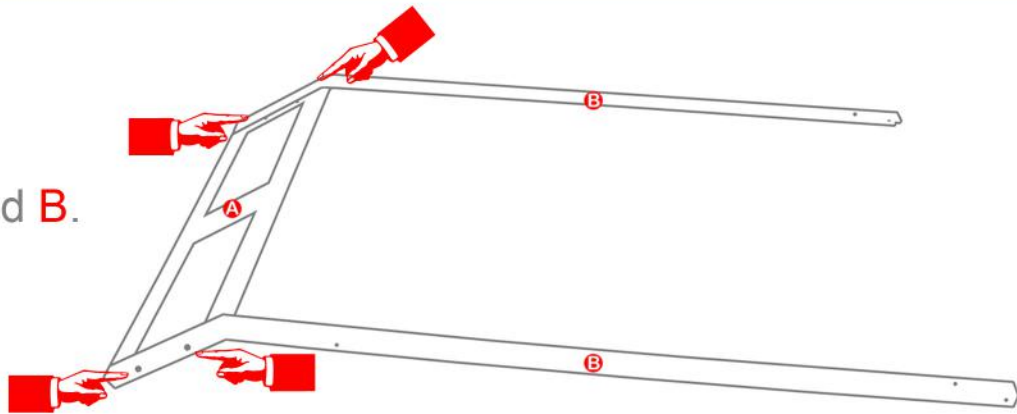
18 M8 Screws
18 M8 Nuts
18 M8 Washers



Step 2

Assemble the top of the frame with **A, B** and **B**.

4 Screws
4 Nuts
4 Washers

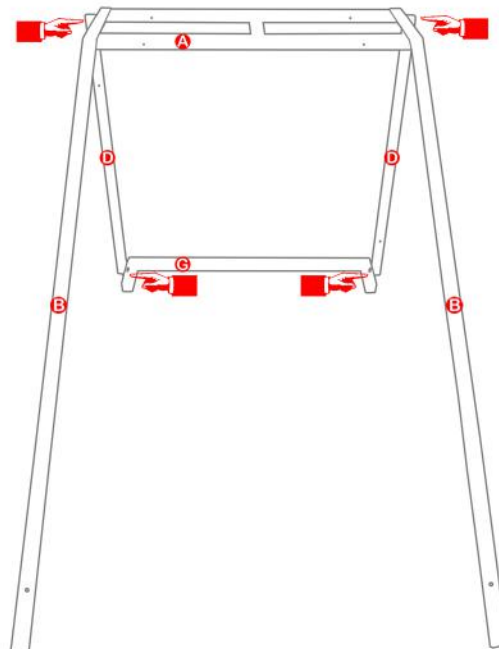


Step 3

Assemble the rear uprights and base of the frame with **D, D** and **G**.

D - On the back Screw as **A** on **B**.

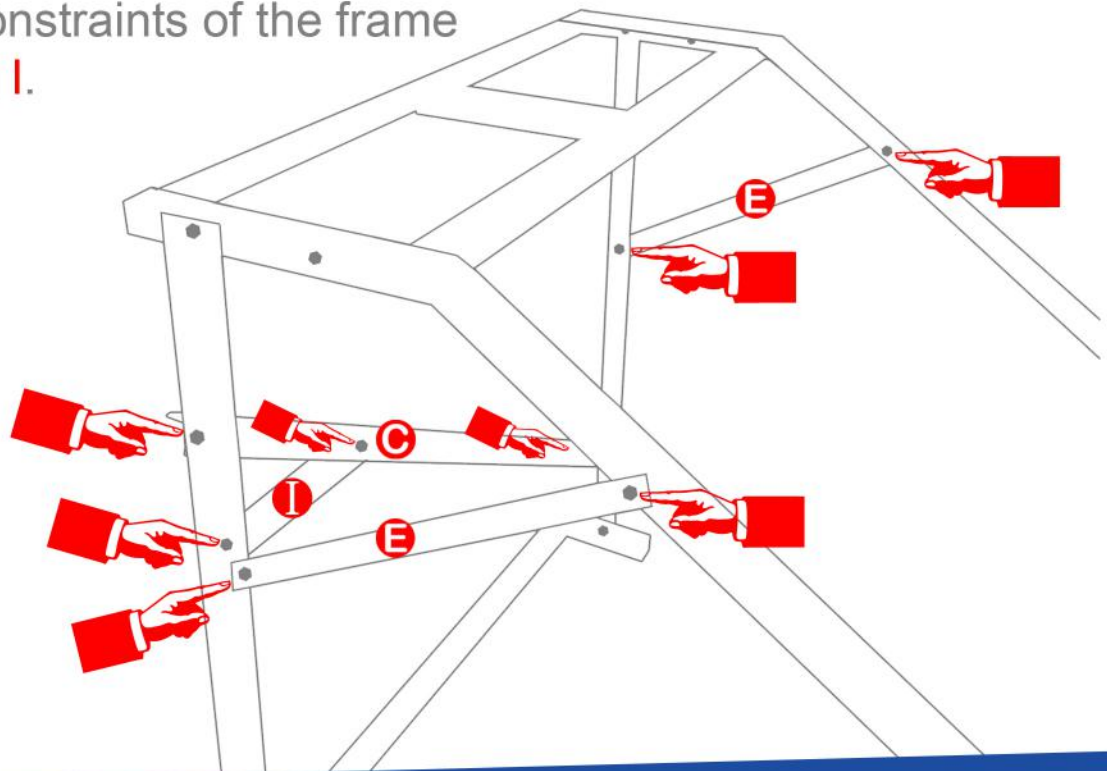
2 Screws
2 Nuts
2 Washers



Step 4

Assemble the constraints of the frame with **E**, **E**, **C** and **I**.

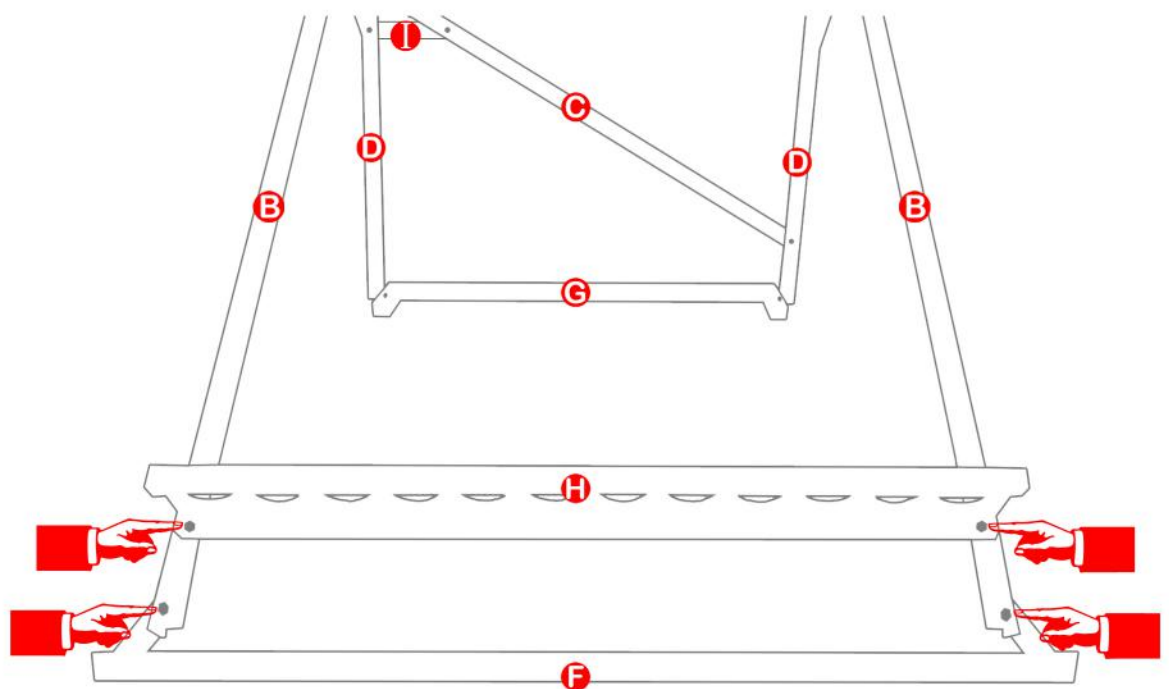
- 8 Screws
- 8 Nuts
- 8 Washers



Step 5

Assemble the foot and the tube mount of the frame with **H**, and **F**.

- 4 Screws
- 4 Nuts
- 4 Washers



Now for the installation of your new Xstream Vacustream[®]. See Vacustream[®] installation guide.